



Diaphragm Pump 41 Series

Features & Benefits

- Positive displacement pump
- Can run dry
- Quiet operation
- Industry standard mount pattern
- Demand pump
- Easy connect fittings

Typical Applications

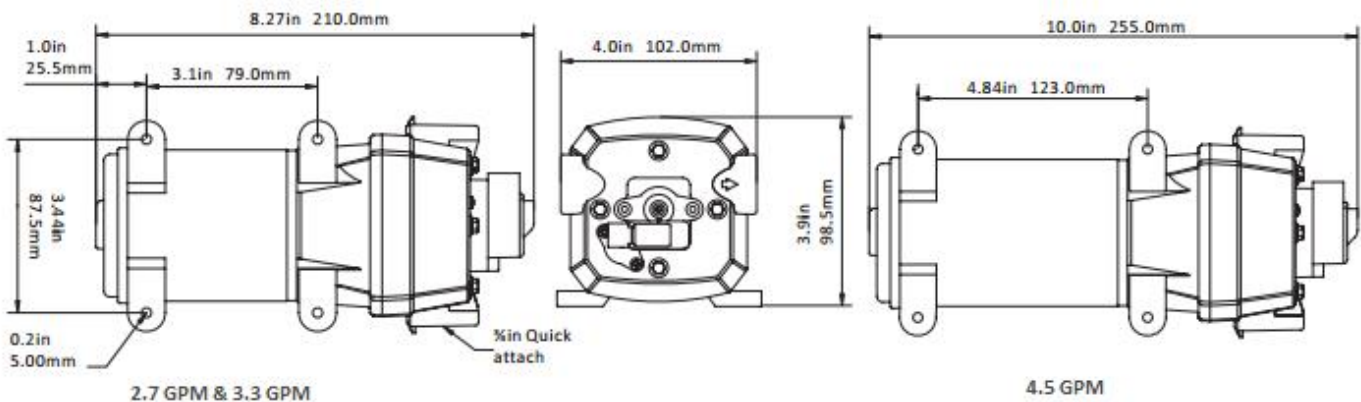
- Agricultural Spraying
- General Industrial
- Automotive
- Marine/RV

PUMP

- Type
4 chamber positive displacement diaphragm pump, self priming, capable of being run dry
- Mode
demand
- Liquid Temperature
140°F (60°C) Max.
- Priming Capabilities
6 feet (1.8 m) suction lift

- Max Pressure
40 PSI (2.8 bar)
- Inlet/Outlet Ports
Quick Attach
- Weight
4.0 lbs - 5.0 lbs (1.80 kg) - (2.30 kg)
- MOTOR
Duty Cycle Intermittent
- Leads
16 AWG, 4.5" long with 2-Pin connector/Leads

Fittings&Filter for your choice



STANDARD PUMP CONFIGURATIONS

Model	Switch	GPM/LPM	PSI/BAR	Max Draw(A)	Valves	Diaphragm	Ports	Voltage	Wire Connections
SFDP1-027-017-41	Demand	2.7/10.0	17/1.2	4.5	EPDM	Santoprene	Quick Attach	12V	2-Pin/Leads
SFDP2-027-017-41	Demand	2.7/10.0	17/1.2	2.0	EPDM	Santoprene	Quick Attach	24V	2-Pin/Leads
SFDP1-033-035-41	Demand	3.3/12.5	35/2.4	8.0	EPDM	Santoprene	Quick Attach	12V	2-Pin/Leads
SFDP2-033-035-41	Demand	3.3/12.5	35/2.4	4.0	EPDM	Santoprene	Quick Attach	24V	2-Pin/Leads
SFDP1-045-040-41	Demand	4.5/17.0	40/2.8	15.0	EPDM	Santoprene	Quick Attach	12V	2-Pin/Leads
SFDP2-045-040-41	Demand	4.5/17.0	40/2.8	6.0	EPDM	Santoprene	Quick Attach	24V	2-Pin/Leads