

SEAFLO[®] CE

2 Position Battery Switch Operation and Installation Instructions

Product Features:

- Continuous rating: 275Amps DC
- Intermittent rating: 455Amps DC
- Cranking rating: 1250Amps DC for 15 seconds
- Maximum Voltage: 50Volts DC
- Operation: Manual On/Off
- Operating range 8 to 50 Volts DC
- Ignition protected
- Stud Size: 2 X10mm(3/8")
- Copper studs and nuts

Operation indication:

Rotate the knob anticlockwise to the off position, electric circuit is cut off in the position. Press the knob and continue to rotate clockwise to the position “on” , electric circuit is connected.

Cable entry:

The back and side panels are removable to allow access for cables and links.

Modular joining:

The 2 Position Battery Switch can be joined together using the supplied pegs. Two pegs are supplied with each switch.

Mounting:

The 2 Position Battery Switch can be either flush or recess mounted (56mm, Ø 5.2mm 0.2" hole)

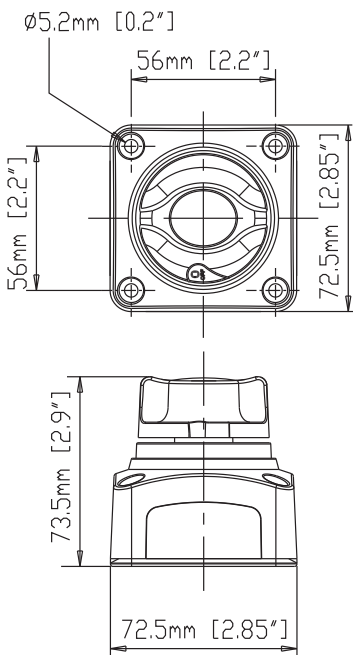
Warning:

The terminal should be taped or covered when the switch is mounted in such a way that the terminals are exposed.

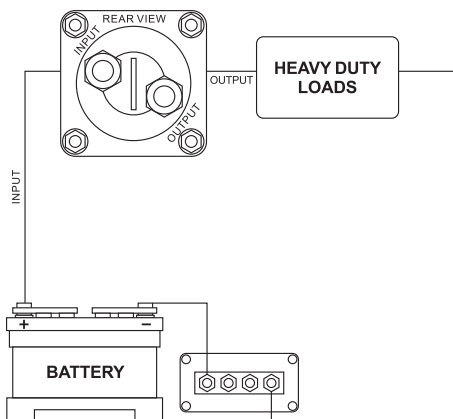
Do not turn the switch off when the engine is running.

Always stop the engine before switching to off position.

Dimension



Installation Diagram



It is important that the negative for this unit is taken from the same battery that the 2 battery switch is isolating. Failure to do this will cause the unit to work erratically. Only one negative must be supplied to each unit for correct operation.