



GPF001  
3/8" MNPT x 1/2" Barb



## Gear Pumps

### Features & Benefits

- Seamless Shell Design
- Thermally Protected Motor
- High Quality Efficient Motor
- Self-priming
- Stainless Steel Shaft

### Typical Applications

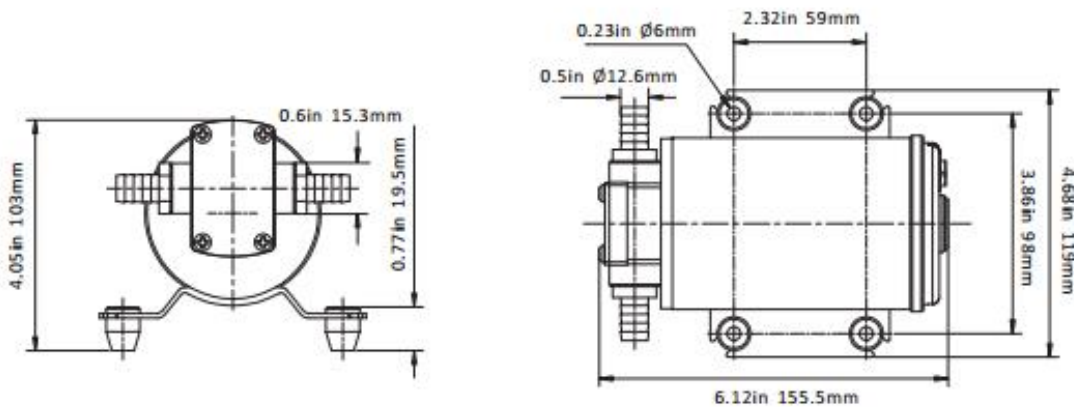
- Extreme duty
- Transmission fluid
- (Diesel, Lubricant and viscous liquids)
- Industrial use

### PUMP

- Liquid Temperature**  
140°F (60°C) Max.
- Priming Capabilities**  
Not needed flooded suction
- Power**  
10 amps max current draw
- Max Pressure**  
Not needed
- Inlet/Outlet Ports**  
3/8" FNPT (9.52 mm) thread fitting
- Weight**  
5.46 lbs (2.48 kg)

### MOTOR

- Type**  
High quality seamless design that is thermally protected
- Leads**  
Wire leads
- Temperature Limits**  
140°F (60°C) Max.
- Duty Cycle**  
Intermittent
- Voltage**  
12v/24v



### STANDARD PUMP CONFIGURATIONS

Model	GPM/LPM	Dimensions	Impeller	Ports	Lead	Molded	Voltage	Max Draw(A)
SFGP1-032-003-01	3.2/12.0	8.46" x 5.31" x 4.33" 215 x 135 x 110mm	copper	3/8" FNPT	Yes	N/A	12v	10
SFGP2-032-003-01	3.2/12.0	8.46" x 5.31" x 4.33" 215 x 135 x 110mm	copper	3/8" FNPT	Yes	N/A	24v	6